



## Complete sequence

Designation	Article
Steel bridge gully 230x520 / vertical outlet (gully body with grate, sludge bucket)	STAL 230520 VERT
Steel bridge gully 230x520 / front outlet (gully body with grate, sludge bucket)	STAL 230520 FRONT
Steel bridge gully 230x520 / longitudinal outlet (gully body with grate, sludge bucket)	STAL 230520 LANGSS
Operating key	BS

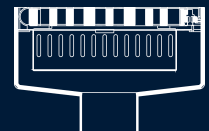
Attention : the following information is mandatory:

Seepage wells:

- -Yes/No
- Position face side/road side/curb side
- Quantity, diameter
- Height of upper edge of drain to lower edge of seepage hole

**additional options:**

- Drain body ungalvanized
- Drain body and sludge bucket made of stainless steel 1.4571 (A4)
- Drain socket longer or shorter
- Drain outlet DN 100 / Ø 108
- Drain body higher or flatter
- Drain body with circumferential support flange

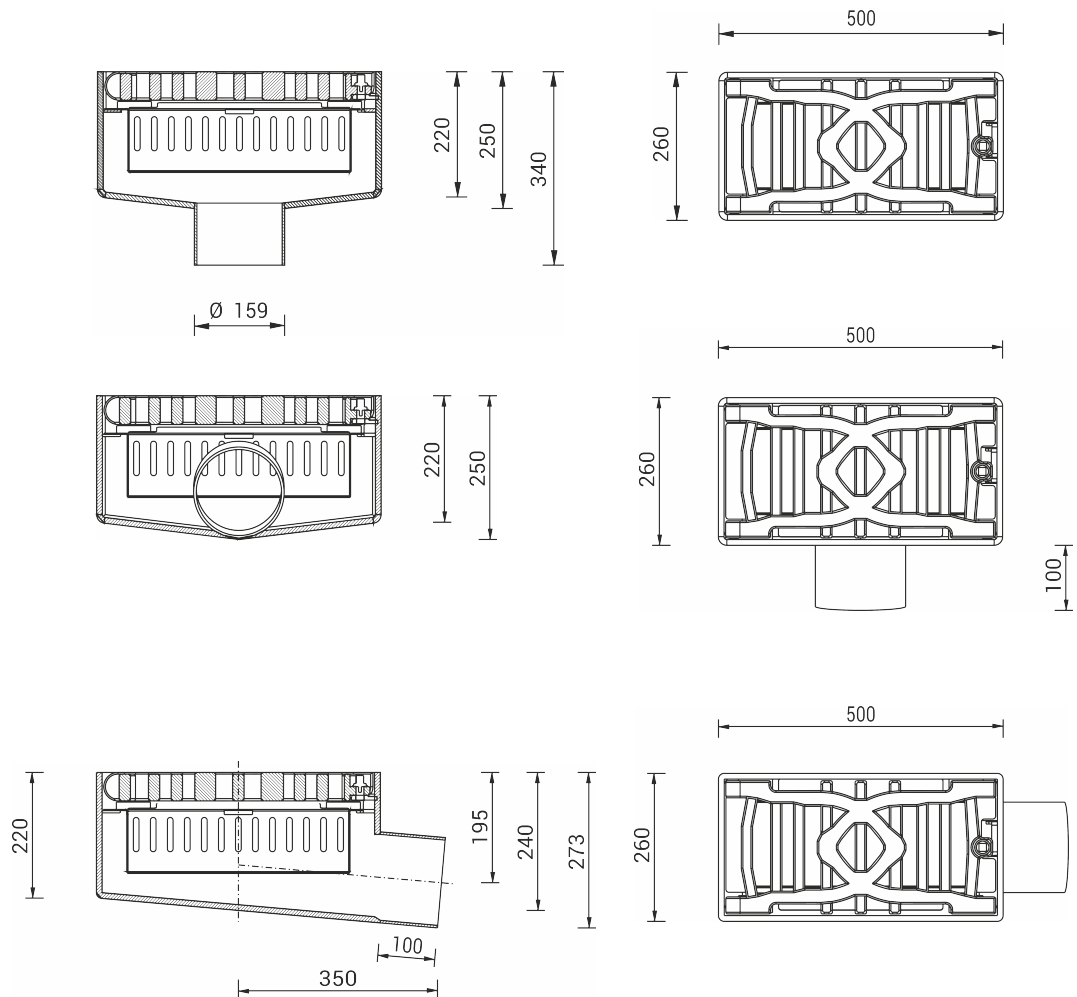




## BRIDGE GULLIES

### Steel bridge gully 260x500

- for welding into the steel roadway plate
- gully body made of steel S235 JR, thickness 10 mm, hot-dip galvanized
- Grate made of nodular cast iron (GJS)
- based on guide drawing WAS 4
- Class D400 DIN EN 124 DIN 1229
- Grate cross-section 260x500
- slot width approx. 30 mm / inlet cross section 580 cm<sup>2</sup> / with damping grate support
- hot galvanized sludge bucket, capacity 6 liters
- with or without seepage holes (Standard: 6 seepage holes Ø 30 mm all-round Height top edge drain to bottom edge seepage hole = 70 mm)
- gully outlet DN 150 / Ø 159





## Complete sequence

Designation	Article
Steel bridge gully 260x500 / vertical outlet (gully body with grate, sludge bucket)	STAL 260500 VERT
Steel bridge gully 260x500 / front outlet (gully body with grate, sludge bucket)	STAL 260500 FRONT
Steel bridge gully 260x500 / longitudinal outlet (gully body with grate, sludge bucket)	STAL 260500 LANGSS
Operating key	BS

Attention : the following information is mandatory:

Seepage holes:

- Yes / No
- Position face side/road side/curb side
- Quantity, diameter
- Height of upper edge of drain to lower edge of seepage hole

**additional options:**

- Drain body ungalvanized
- Drain body and sludge bucket made of stainless steel 1.4571 (A4)
- Drain outlet longer or shorter
- Drain outlet DN 100 / Ø 108
- Drain body higher or flatter
- Drain body with circumferential support flange

