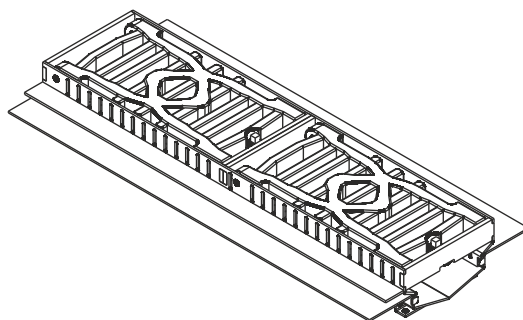
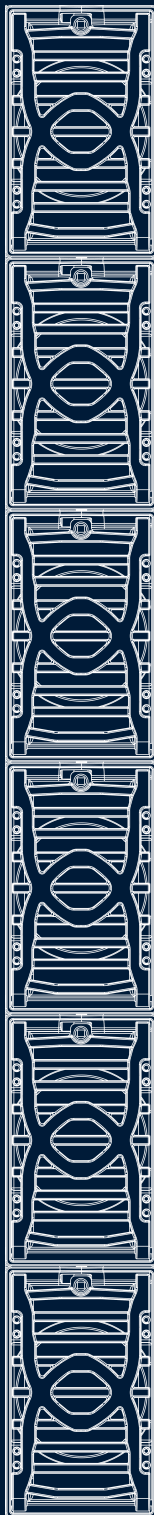




DRAINAGE CHANNELS

Variant 1

- Stainless steel drainage channel for porous asphalt (OPA)
- Channel top (grate and frame), grate made of nodular cast iron (EN-GJS-500-7) /frame made of stainless steel 1.4571 (A4)
- lateral seepage slots for drainage of the porous asphalt
- width 300mm (optionally 250mm), height according to structural requirements
- bottom part, channel made of stainless steel 1.4571 (A4), height variable



RINNE WAS1 GRO 250
RINNE WAS1 GRO 300

