

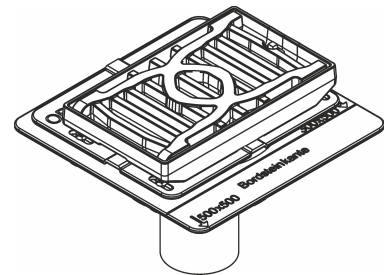
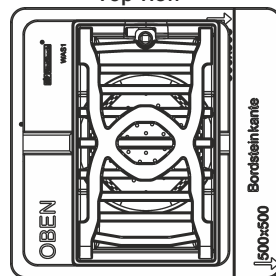


# BRIDGE GULLIES

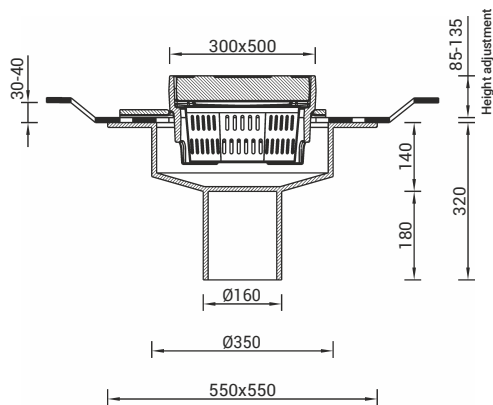
## Bridge gully 300x500

- Cast iron bridge gully
- Compliant with standard drawing WAS 1
- Class D 400 DIN EN 124 DIN 1229
- upper part steplessly adjustable in height, inclination, sideways, as well as rotatable
- Grate size 300x500  
slot width approx. 30 mm / inlet cross section 610 cm<sup>2</sup> / with damping support / with hinge and friction lock
- hot-dip galvanized sludge bucket, capacity 5 liters
- clamping flange for sealing membrane clamping and as support for gully top part /with seepage tunnel
- bottom part with gully socket DN 150 / with adhesive flange for sealing sheet / with screw-on option for mounting support

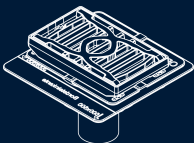
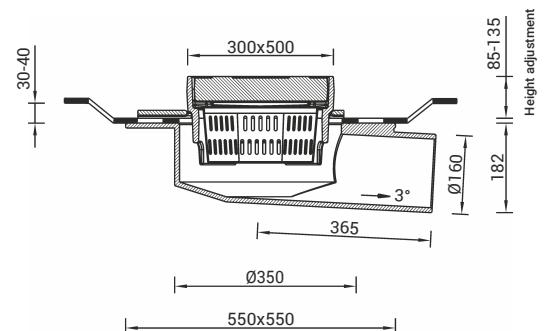
Top view



Bridge gully 300x500  
vertical socket



Bridge gully 300x500  
side socket





## Complete Gullies

| Designation   | Article            |
|---|--------------------|
| Bridge gully 300x500 vertical socket<br>(upper part, clamping flange, lower part)                 | BA 300500 VERTICAL |
| Bridge gully 300x500 / lateral connection piece<br>(upper part, clamping flange, lower part)      | BA 300500 LATERAL  |
| bridge gully 300x500 / inclined 45° connection piece<br>(upper part, clamping flange, lower part) | BA 300500 SCHR     |
| Bridge gully 300x500 / asymmetric vertical socket<br>(upper part, clamping flange, lower part)    | BA 300500 ASYM     |

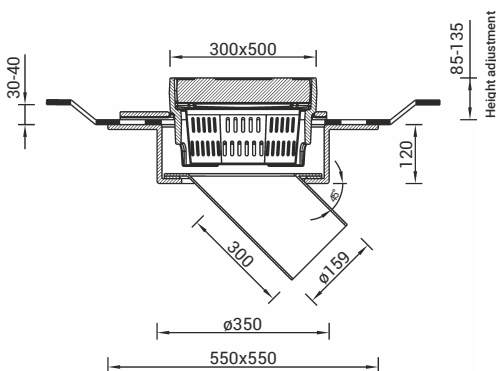
## gully single parts

| Designation  | Article      |
|--|--------------|
| Bridge gully lower part vertical                                     | BA UT SENKR  |
| Bridge gully lower part lateral                                      | BA UT SEITL  |
| Bridge gully lower part oblique 45°                                  | BA UT SCHR   |
| Bridge gully bottom part asymmetric, vertical                        | BA UT ASYM   |
| Bridge gully clamping flange for OT 300x500                          | BA FL 300500 |
| Bridge gully upper part 300x500<br>(frame with grate, sludge bucket) | BA OT 300500 |
| Assembly support kit (see page 48)                                   | MU           |
| Operating key (see page 48)  | BS           |

### additional options:

- gully socket longer or shorter
- gully connection DN 100 / Ø 108 (except for side connection)
- gully bottom part and gully top part as flat version
- Intermediate flanges for additional height adjustment
- gully bottom part made of stainless steel 1.4571 (A4)
- gully upper part made of cast iron (GJS) hot-dip galvanized and color coated

### Bridge gully 300x500 inclined 45° socket



- factory screwed stainless steel (A4) gully nozzle
- Spigot can be screwed in in all directions

### Bridge gully 300x500 asymmetrical, vertical socket

